

SBD-140PMB

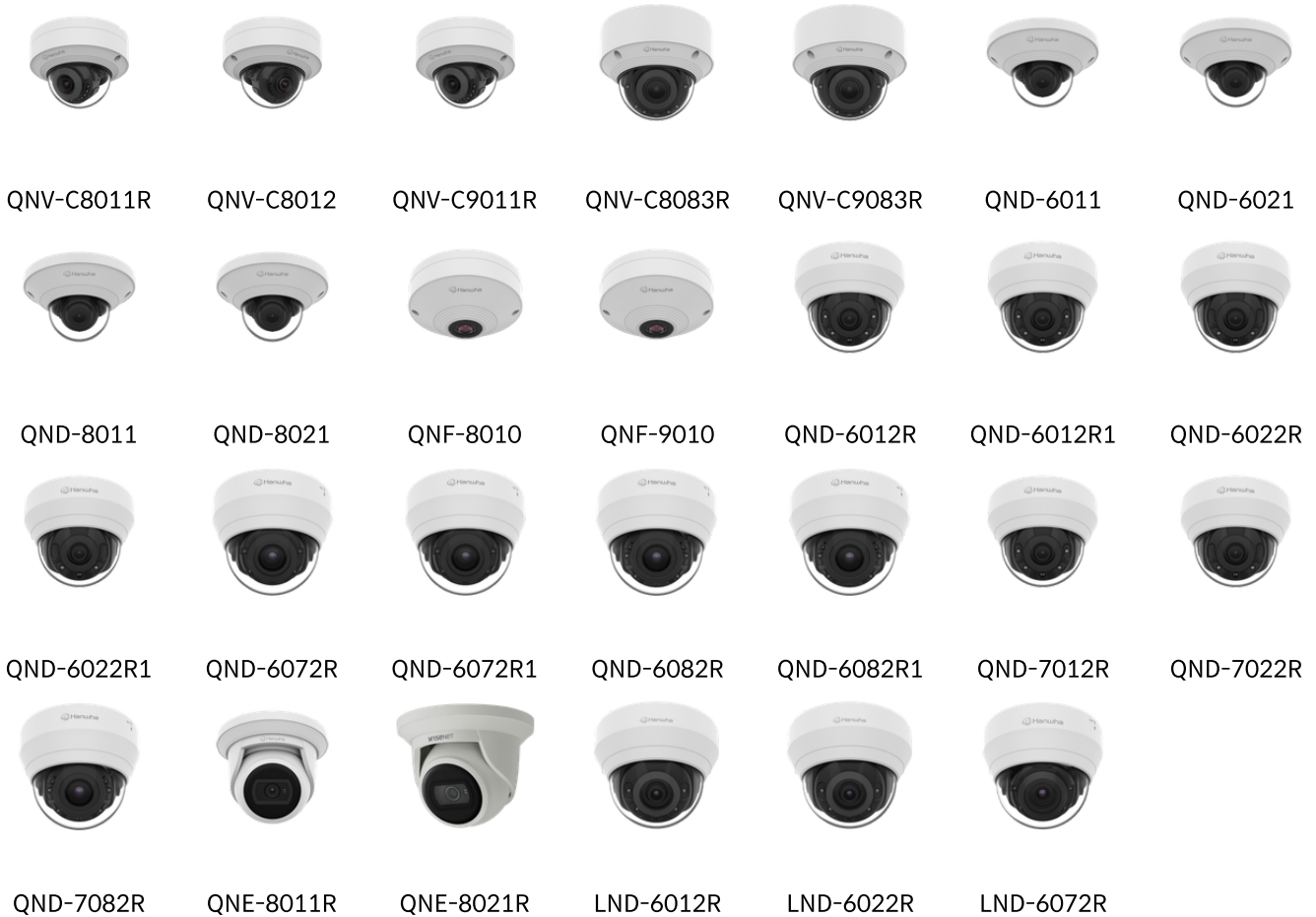
Pole Mount



Key Features

- Product dimensions / Weight: 121x70mm (4.76x2.76") / 56g (0.12lb)
- Material: SUS304
- RAL code: RAL9003
- Mount Screw size: TR20

Compatible Devices



SBD-140PMB

Pole Mount



Specifications

Mechanical	
Color	White
Material	Aluminum
RAL code	RAL9003
Product dimensions / weight	121x70x11.2mm / 56g
Mount Screw size	TR20
Max. load	5kg
Supported products	QNV-C8011R, QNV-C8012, QNV-C9011R ※ For further compatible models, please visit our website or use Toolbox

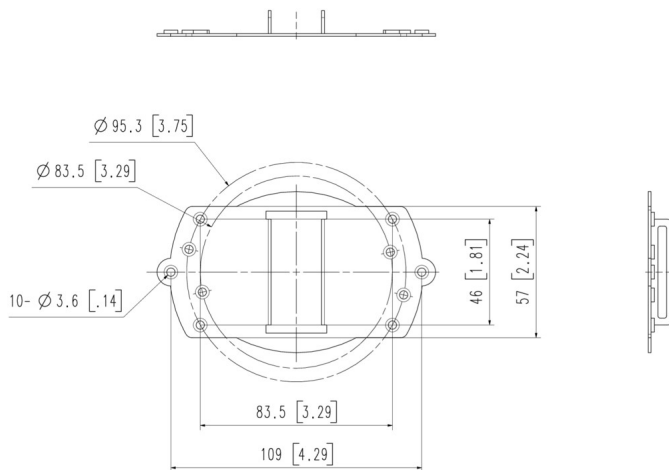
SBD-140PMB

Pole Mount



CAD

Unit: mm [inch]



3	MODEL 2	
2	MODEL 1	
1	SBD-140PMB	'23.06.12
No.	MODEL NAME	DATE
Unit: mm [inch] SCALE: 1/1		 Hanwha Vision

© Hanwha Vision Co., Ltd. All rights reserved.