



# SBP-050NBW

## Cabinet



### Key Features

- Materials : PC(Polycarbonate), Aluminum
- Dimensions :  $\phi 240 \times 290 \times 123.1 \text{mm}$  ( $\phi 9.45 \times 11.42 \times 4.85 \text{''}$ )
- Weight : 2.5kg (5.51lb)
- Max. load : 5kg (11.02lb)

※ Conduit hole : 12.7mm(1/2'')(M20, 1pcs) / 19.1mm(3/4'')(M25, 4pcs)

# SBP-050NBW

Cabinet



## Specifications

Environmental	
Operating Temperature / Humidity	-40°C~+65°C (-40°F~+149°F) / 0~100% RH (condensing) Humidity control /w Air vent
Storage Temperature / Humidity	-50°C~+65°C (-58°F~+149°F) / 0~95% RH
Certification	IP66, IK10, NEMA 4X
Mechanical	
Color	White
Material	PC(Polycarbonate), Aluminum
RAL code	RAL9003
Product dimensions / weight	240x290x123.1mm(9.45x11.42x4.85) / 2.5kg
Mount Screw size	TR20, T30
Max. load	5KG
Conduit hole	12.7mm(1/2")(M20, 1pcs) / 19.1mm(3/4")(M25, 4pcs)
Supported products	SBP-050NBW: QNV-C6083R, QNV-C8083R, QNV-C9083R, QNE-C8013RL, QNE-C9013RL, XNO-C6083R, XNO-C7083R, XNO-C8083R, XNO-C9083R, XNO-6083R, XNO-8083R, XNO-9083R, XNF-9010RV, XNF-9013RV, XND-8082RV, XND-9082RV, XND-C6083RV, XND-C7083RV, XND-C8083RV, XND-C9083RV, XNV-C6083R, XNV-C7083R, XNV-C8083R, XNV-C9083R, XND-6083RV, XND-8083RV, XND-8093RV, XND-9083RV, PND-A6081RV, PND-A9081RV, ANE-L8082R, XNV-6083RZ, XNV-8083RZ, XNV-9083RZ, XNV-6083Z, XNV-8083Z, XNV-6123R, XNV-8082R, XNV-9082R, XNV-6083R, XNV-8083R, XNV-8093R, XNV-9083R, PNV-A6081R, PNV-A9081R, PNO-A9311R, TNO-C3010TRA, TNO-C3012TRA, TNO-C3020TRA, TNO-C3022TRA, TNO-C3030TRA, TNO-C3032TRA, SBV-140BW, SBO-140BW, SBO-090GP, SBD-110GP1, SBP-060BA, SBP-061BA (SBP-156WMW): XNP-C6403, XNP-C6403R, XNP-C8253, XNP-8253R, XNP-C9253, XNP-C9253R, QNP-6250H, QNP-6320H, QNP-6250R, QNP-6320R (SBP-250WMW): QNV-C6083R, QNV-C8083R, QNV-C9083R, QNE-C8013RL, QNE-C9013RL, XNO-C6083R, XNO-C7083R, XNO-C8083R, XNO-C9083R, XNO-6083R, XNO-8083R, XNO-9083R, XNF-9010RV, XNF-9013RV, XND-8082RV, XND-9082RV, XND-C6083RV, XND-C7083RV, XND-C8083RV, XND-C9083RV, XNV-C6083R, XNV-C7083R, XNV-C8083R, XNV-C9083R, XND-6083RV, XND-8083RV, XND-8093RV, XND-9083RV, PND-A6081RV, PND-A9081RV, ANE-L8082R, XNV-6083RZ, XNV-8083RZ, XNV-9083RZ, XNV-6083Z, XNV-8083Z, XNV-6123R, XNV-8082R, XNV-9082R, XNV-6083R, XNV-8083R, XNV-8093R, XNV-9083R, PNV-A6081R, PNV-A9081R, PNO-A9311R, TNO-C3010TRA, TNO-C3012TRA, TNO-C3020TRA, TNO-C3022TRA, TNO-C3030TRA, TNO-C3032TRA, SBV-140BW, SBO-140BW, SBO-090GP, SBD-110GP1

# SBP-050NBW

Cabinet

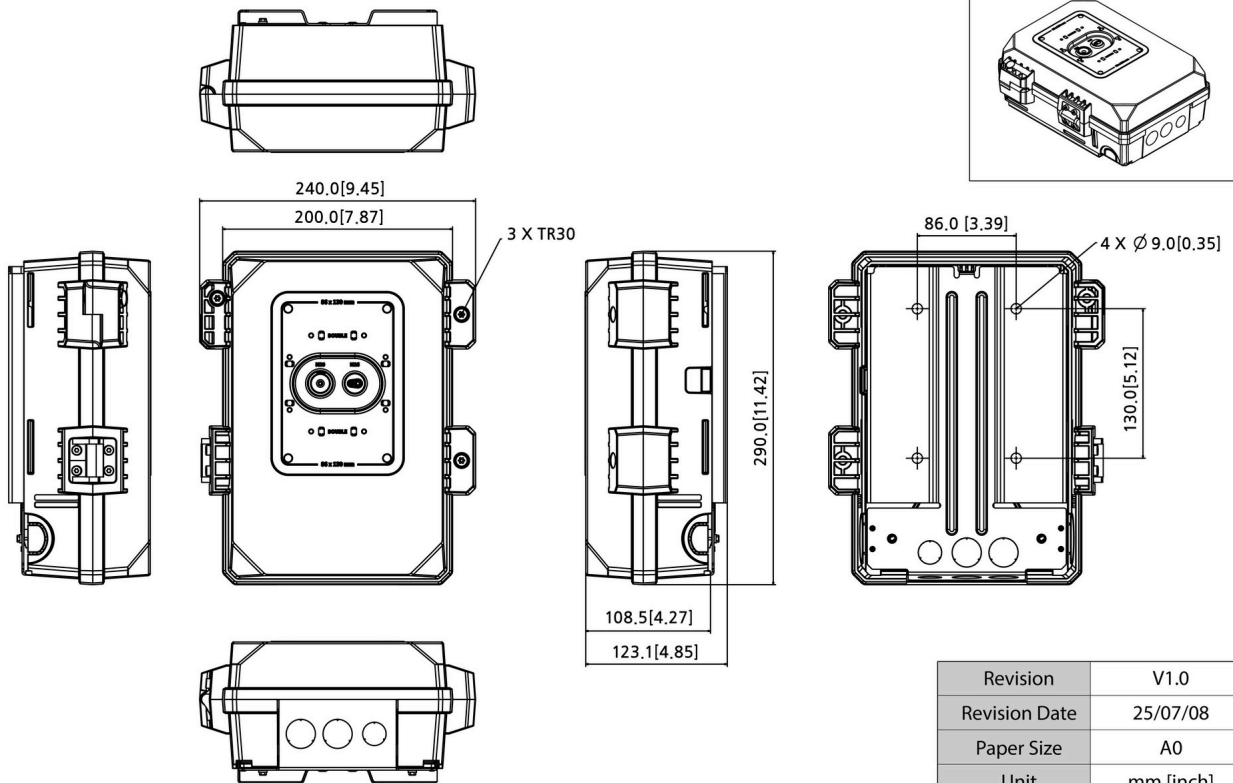
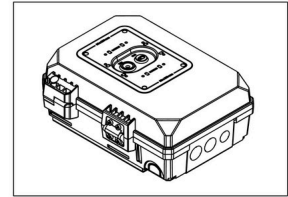


CAD

Unit: mm [inch]

## SBP-050NBW Cabinet

Reference image



Revision	V1.0
Revision Date	25/07/08
Paper Size	A0
Unit	mm [inch]
Scale	1:1

©Hanwha Vision Co., Ltd. All right reserved.