



SBP-300HMW7

Hanging Adaptor



Key Features

- Materials : Aluminum
- Dimensions (WxHxD) : Ø120.0 x51.5mm(Ø4.72" x 2.02")
- Weight : 145g (0.32 lb)
- Color : White
- Mount screw size : PF 1 1/2"

Compatible Devices



SBP-300HM7

SBP-300HMW7

Hanging Adaptor



Specifications

Mechanical	
Color	White
Material	Aluminum
RAL code	RAL9003
Product dimensions / weight	ø120x51.5mm / 145g
Supported products	QND-6012R ※ For further compatible models, please visit our website or use Toolbox

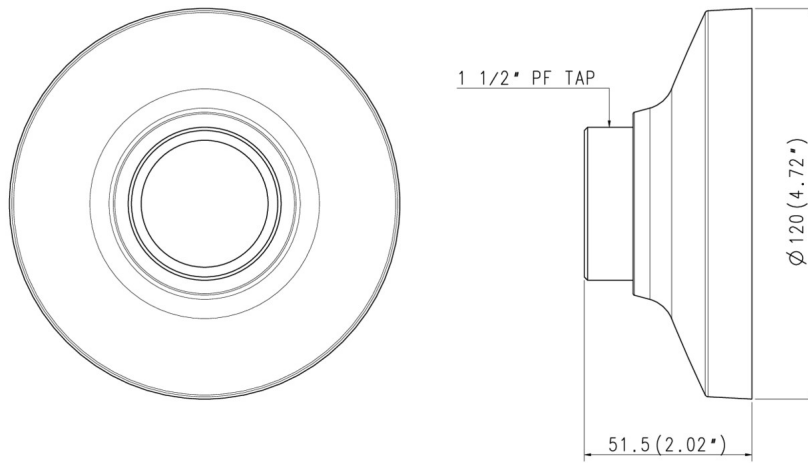
SBP-300HMW7

Hanging Adaptor



CAD

Unit: mm [inch]



SBP-300HM7