



SBV-140WW

Waterproof Back Box



Key Features

- Color: White
- Material: Aluminum
- Weight: 835g(1.84lb)
- Product dimensions: $\phi 144.2 \times 64.5 \text{mm}$ ($\phi 5.68 \times 2.54$ ")
- Mount screw size: TR20

SBV-140WW

Waterproof Back Box



Specifications

Environmental	
Certification	IP66, NEMA 4X
Mechanical	
Color	White
Material	Aluminum
RAL code	RAL9003
Product dimensions / weight	ø144.2x64.5mm / 835g
Mount Screw size	TR20
Max. load	5kg
Conduit hole	19.1mm(3/4")(M25)
Supported products	QNV-C6083R, QNV-C8083R, QNV-C9083R ※ For further compatible models, please visit our website or use Toolbox

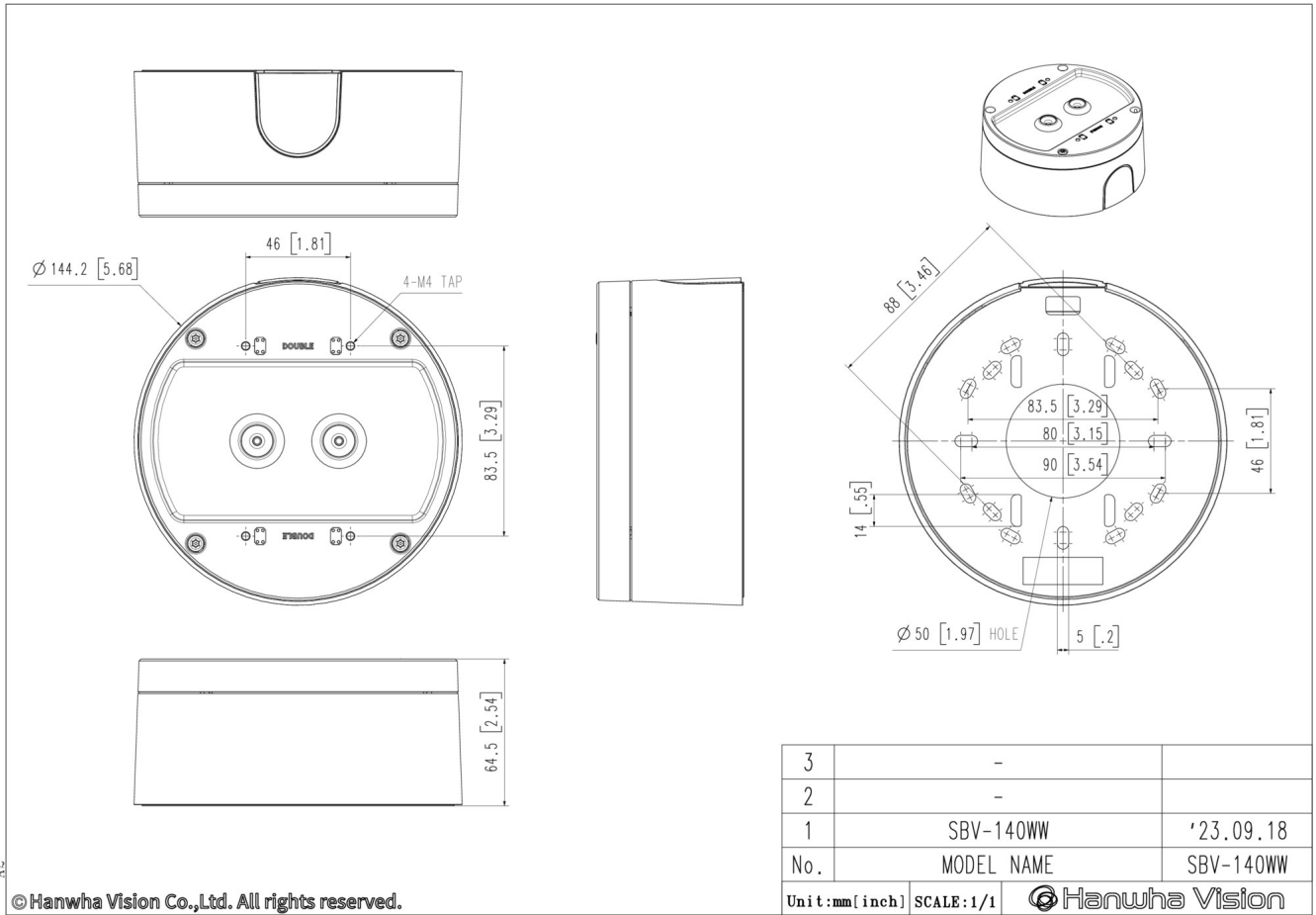
SBV-140WW

Waterproof Back Box



CAD

Unit: mm [inch]



© Hanwha Vision Co., Ltd. All rights reserved.