

SBV-160WC

Weather Cap



Key Features

Applicable Model

- PNV-9080R
- XNV-6080/6080R/8080R
- SCV-6081R
- SNV-5084/5084R/6084/6084R/6085R/7084/7084R/8080/8081R

SBV-160WC

Weather Cap



Specifications

Mechanical	
Color	Ivory
Material	Aluminum
Product dimensions / weight	184.7x164.8x165mm / 315g
Supported products	XNV-6080R, XNV-8080R ※ For further compatible models, please visit our website or use Toolbox

SBV-160WC

Weather Cap



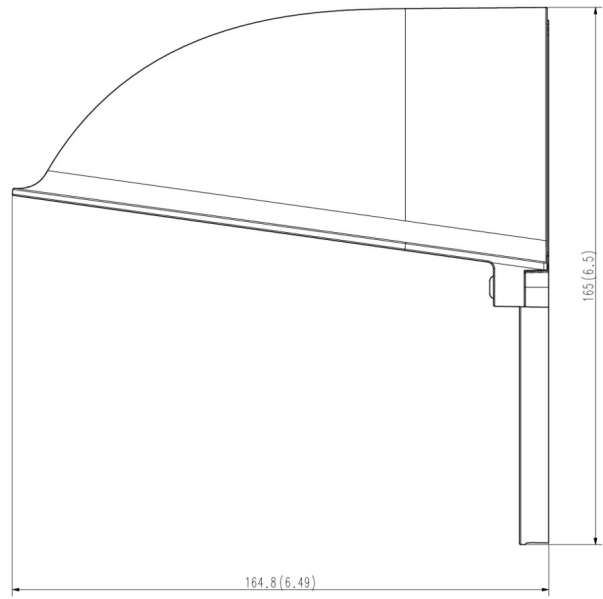
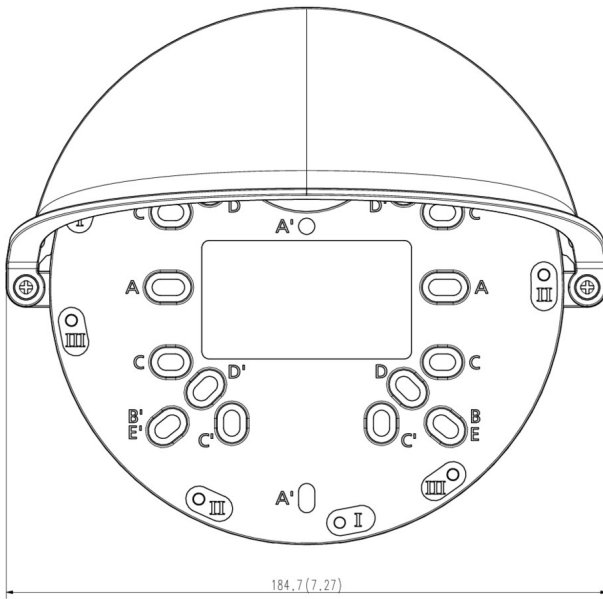
CAD

Unit: mm [inch]

This parts should not contain any substances which are specified in AH60-0033K

NO	PART NAME	CODE NO.	MATERIAL	Q'TY	REMARK
1	ASSY_160WC	051498	MATERIAL	1	REMARK

mm (inch)



A3
CHANGE

DIV	STANDARD TOLERANCE				
	h1	h2	h3	h4	h5
0-16	±0.05	±0.1	±0.1	±0.2	±0.3
16-63	±0.05	±0.1	±0.2	±0.3	±0.4
63-250	±0.1	±0.2	±0.3	±0.4	±0.4
250-1000	±0.2	±0.3	±0.4	±0.5	±0.6

UNIT	mm	DESIGN	CHECK	APPROVAL
		Design	Check	Approval
SCALE	1/1	15.08.01	15.08.01	15.08.01

Hanwha Techwin

PART NAME	ASSY_160WC
MODEL NAME	MODEL NAME
CODE NO.	051498