



# SHP-1563FPW

In-ceiling Mount



## Key Features

- Enclosure : Aluminum+PC / Top cover : Polycarbonate (PC)
- Dimensions : Ø268x209mm (ø10.55x8.23")
- Weight : 1.9kg (4.19lb)
- Color : White

# SHP-1563FPW

In-ceiling Mount



## Specifications

Mechanical	
Color	White
Material	Aluminum
RAL code	RAL9003
Product dimensions / weight	ø268x209mm(ø10.55x8.23") / 1900g(4.19lb)
Tile thickness	3~70mm
Conduit hole	19.1mm(3.4")(M25), 12.7mm(1/2")(M20)
Supported products	XNP-C6403, XNP-C6403R, QNP-6250R ※ For further compatible models, please visit our website or use Toolbox

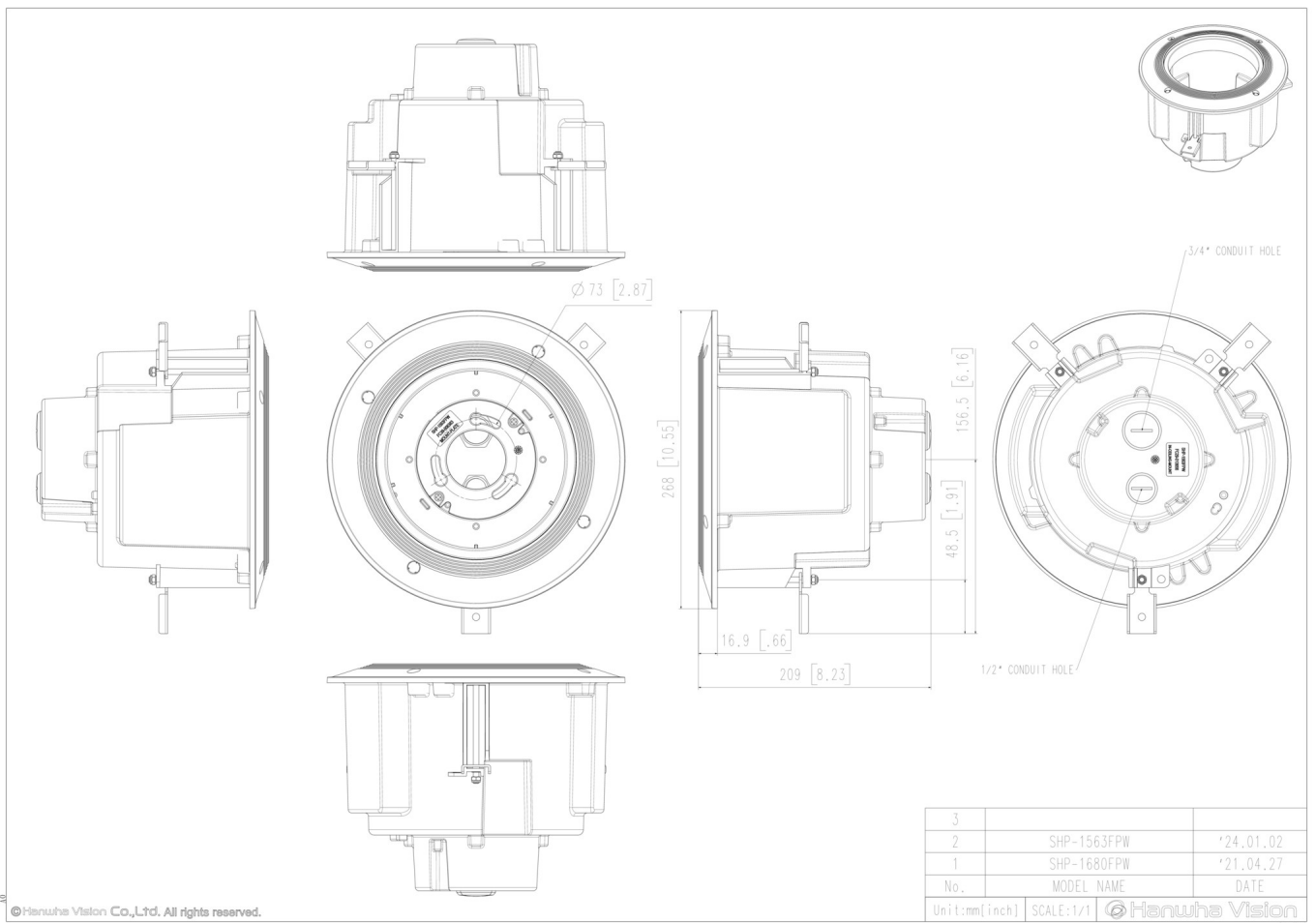
# SHP-1563FPW

In-ceiling Mount



CAD

Unit: mm [inch]



© Hanwha Vision Co., Ltd. All rights reserved.