



SHP-1680FPW

In-ceiling Mount



Key Features

- Enclosure: Aluminum / Top cover : Polycarbonate (PC)
- Dimensions : Ø268mm x H209mm (10.55" x 8.23")
- Weight : 1,300g (2.87 lb)
- Color : White

SHP-1680FPW

In-ceiling Mount



Specifications

| Mechanical | |
|-----------------------------|---|
| Color | White |
| Material | PC(Polycarbonate), Aluminum |
| RAL code | RAL9003 |
| Product dimensions / weight | ø268x209mm(ø10.55x8.23") / 1300g(2.87lb) |
| Tile thickness | 3~70mm |
| Conduit hole | 19.1mm(3/4")(M25), 12.7mm(1/2")(M20) |
| Supported products | QNP-6250, QNP-6320 ※ For further compatible models, please visit our website or use Toolbox |

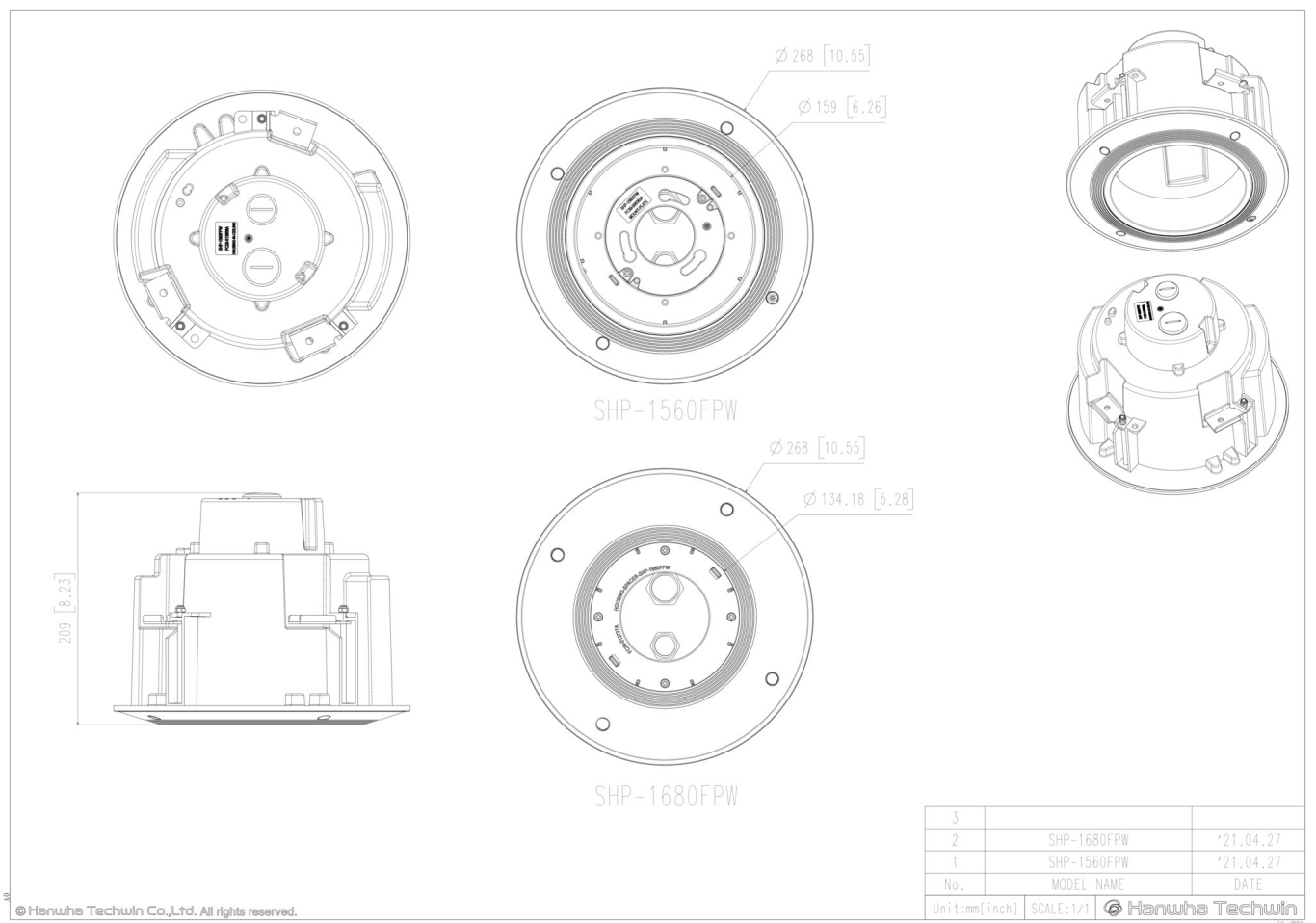
SHP-1680FPW

In-ceiling Mount



CAD

Unit: mm [inch]



© Hanwha Techwin Co., Ltd. All rights reserved.