



SHP-3701H

PTZ Camera Outdoor Housing



Key Features

- Built-in Fan / Heater
- IP66 / IK10 Grade
- 1 ½", PF Tab

SHP-3701H

SHP-3701H

PTZ Camera Outdoor Housing



Specifications

Environmental

Operating Temperature / Humidity	-50°C~+50°C / 0~90% RH
Certification	IP66, IK10

Mechanical

Color	Ivory
Material	PC(Polycarbonate), Aluminum
Product dimensions / weight	ø250x319mm / 2900g
Supported products	XNP-6320, XNP-6321 ※ For further compatible models, please visit our website or use Toolbox

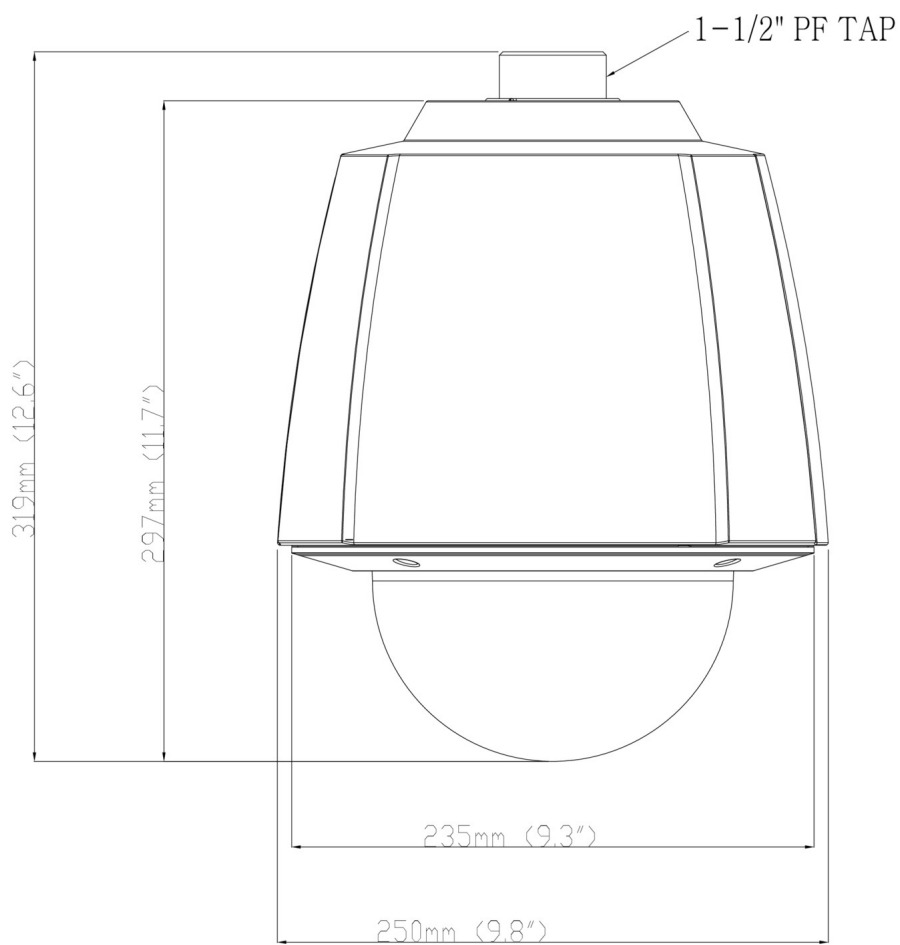
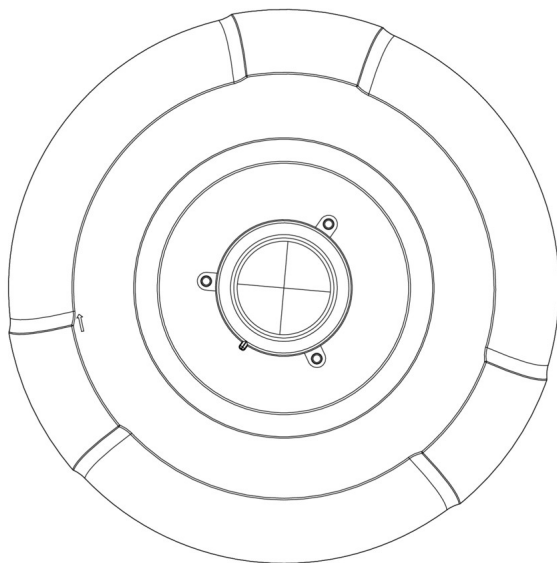
SHP-3701H

SHP-3701H

PTZ Camera Outdoor Housing

**CAD**

Unit: mm [inch]



Unit : mm
(Inches)

SHP-3701H