



SPA-H100B

IP Horn Speaker



Key Features

- Amplifier: Built in 10W Class D
- Power: PoE(IEEE 802.3 af type 1 Class 3) , PoE+(IEEE 802.3 at type 2 Class 4)
- Internal memory: 1 GBytes
- Frequency Range (-10dB): 650Hz~5.3kHz
- Max. Sound Pressure Level : 124dB
- Sensitivity (1Watt): 111dB
- IP Code: IP66
- Supported Protocols: IPv4, HTTP, HTTPS, SIP, mDNS, DNS, NTP, TCP, UDP, DHCP, ARP, ICMP, SNMP(v3)
- TTS: English(US, UK), German, French, Spanish, Russian

SPA-H100B

IP Horn Speaker



Specifications

Product	
IP Audio Type	IP Horn Speaker
Amplifier	
Description	Built in 10W Class D
Network	
Ethernet	10/100 Base-T
Memory	
Internal Memory	1 GBytes
Contact	
Contact Input. Dry contact	One Channel
Contact Output. Dry contact (NO)	One channel
General	
Operating Temperature	-40°C~+55°C(-40°F~+131°F) (Cold start : -35°C/-31°F)
Operating Humidity	10~85%RH(Non-Condensing)
IP Code	IP66
Weight	3.7Kg (8.16lb)
Size	241(W) x 155(H) x 307(D)mm
Color	Black
Certificate	EMC : KS C 9832/9835,EN 55.32/55035,FCC Part 15 Subpart B,ICES-003, Safety : UL 62368-1,CAN/CSA 62368-1
Power	
PoE	PoE (IEEE 802.3 af type 1 Class 3)
PoE+	(IEEE 802.3 at type 2 Class 4)
Power	N/A
Embedded MIC	
Input Sensitivity	Sound Level Meter
Frequency Response	Sound Level Meter

Audio

Supported Audio Format	WAV, MP3 in mono/stereo from 64 kbps to 320 kbps. Sampling rate from 16kHz up to 48 kHz
------------------------	---

Speaker

Speaker Component	1" HF Driver. Dome type
Max. Sound Pressure Level (PoE)	121 dB
Max. Sound Pressure Level (PoE+)	124 dB
Frequency Range (-10 dB)	650 Hz ~ 5.3 kHz
Sensitivity (1 Watt)	111 dB
Coverage Pattern	(HxV) : 130° X 160° (1 kHz) / 30° X 50°(1 kHz)

Network Protocol

Security	Password protection : admin, setup, user, guest (sha-2, Digest authentication, User access log)
Supported Protocols	IPv4, HTTP, SIP, mDNS, DNS, NTP, TCP, UDP, DHCP, ARP, ICMP

System Integration

Application Programming Interface	SUNAPI(HTTP API), ONVIF Profile S
Multi-source Dynamic PA control	Multi-source up to 48 (Multicast) (Audio 24CH + Mic 24CH) (Up to 15 audio channels can be broadcast simultaneously), Up to 256 Zone Control (Multicast), Up to 20 Zone Control (Unicast), Up to 255 Groups
VoIP	Tested with SIP clients such as Grandstream, Yealink, Cisco, MicroSIP softphone and PBX supplier such as Asterisk, Supported SIP features : DTMF (RFC2833), Supported codecs : PCMU, PCMA, speex/8000, speex/16000
TTS	English (US, UK), German, French, Spanish, Russian
Audio Monitoring	Speaker test by graphic level meter (Built in test tool)
Event & Preset	Virtual Contact, Dry contact
Functional Monitoring	Connection verification, Built-in system logging

SPA-H100B

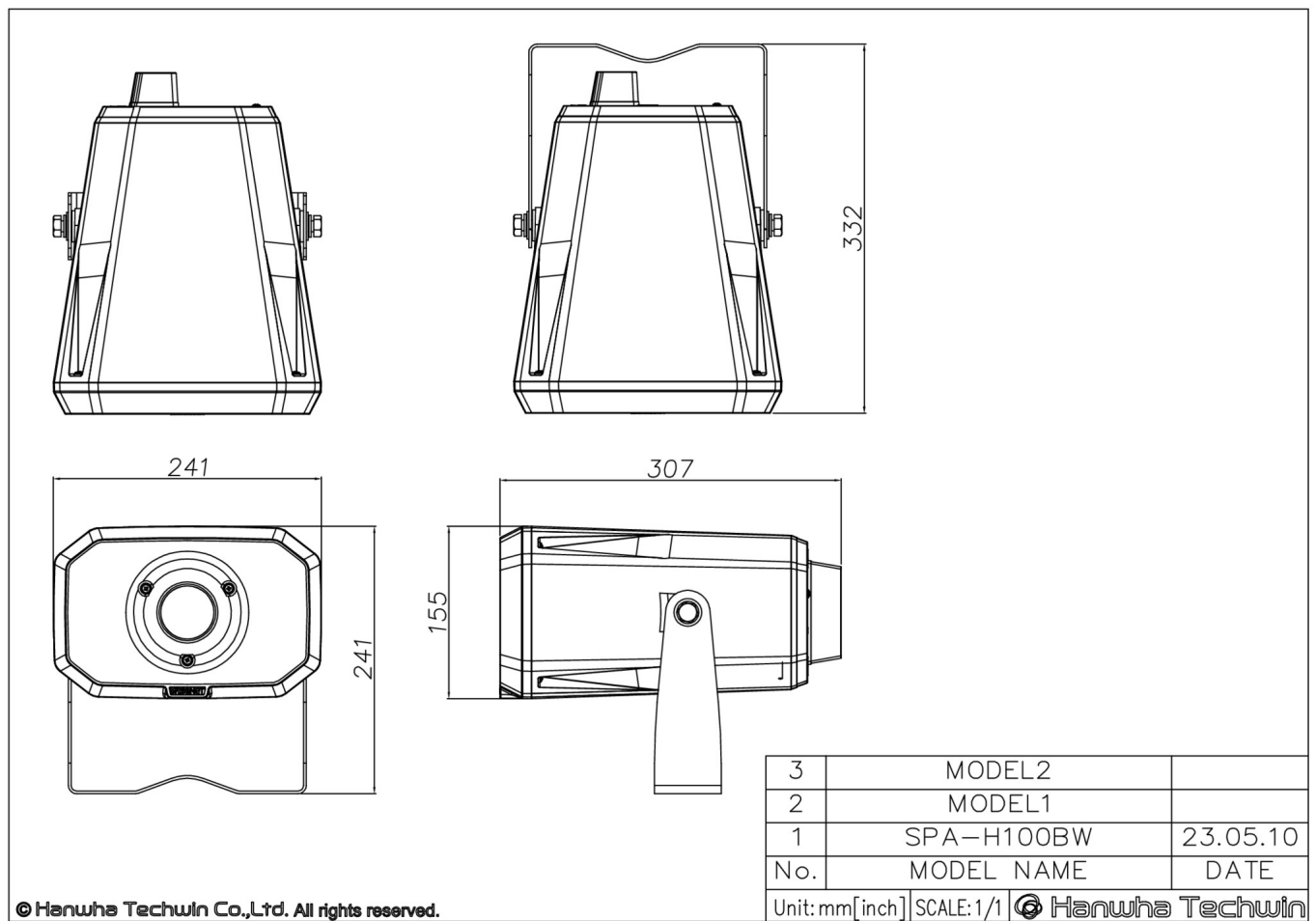
SPA-H100B

IP Horn Speaker



CAD

Unit: mm [inch]



© Hanwha Techwin Co., Ltd. All rights reserved.