



Explosion Proof

Network

TNO-X6073EPT1-Z

2MP Network Explosion Proof Fixed Camera



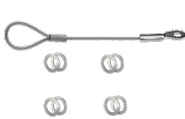
Key Features

- 2MP (1920 x 1080) resolution
- 2.8 - 9mm Auto-Iris, P-Iris Lens
- H.265, H.264, MJPEG codec support
- Multiple streaming, WiseStreamII support
- Day & Night (ICR), WDR (150dB)
- DIS with Built-in Gyro sensor
- Dual SD Memory slots (Maximum 2 x 256GB)
- Hazardous Rated for Class I II III Division 1 Groups B, C, D, E, F, G cFMus Approved and II 2 G Ex db IIB+H2 II 2 D Ex tb IIIC IECEX ATEX certified
- Powder-coated aluminum housing

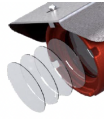
Cameras are supplied with the accessories shown below



HT-F2XX-GM
General Mount



HT-SF-FP
Protection Cable
supplied with
camera unit

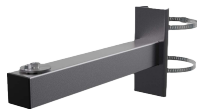


HT-F2XX-TO
Protective Lens
Film

Accessories (Optional)

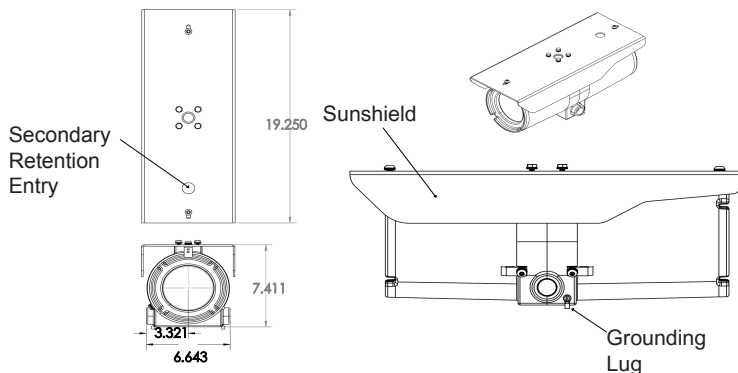


HT-F2XX-WM
Wall Mount Bracket



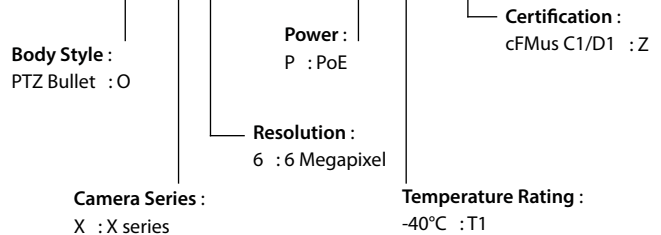
HT-F2XX-PM
Pole Mount Bracket

Dimensions



Model Number

TNO-X6073EPT1-Z



TNO-X6073EPT1-Z

2MP Network Explosion Proof Fixed Camera

Specifications

VIDEO	
Imaging Device	1/2.8" 2MP CMOS
Total Pixels	1,945(H) x 1,109(V) 2.16MP
Effective Pixels	1,945(H) x 1,109(V) 2.13MP
Scanning System	Progressive Scan
Minimum Illumination	Color: 0.01Lux (1/30 sec, F1.2) , B/W: 0.001Lux (1/30 sec, F1.2)
S/N Ratio	50dB
Video Out	CVBS: 1.0Vpp / 75Ω composite, 720 x 480, for installation, USB: Micro USB Type B, 1280x720 for installation
LENS	
Focus Control	Simple focus / Manual, Remote control via network, Button control (Manual, Simple focus)
Lens Type	Manual / DC auto Iris, P-Iris, C/CS lens mount
Focal Length / Angular FoV	2.8 - 9mm / 98° (Wide) ~ 39° (Tele)
OPERATIONAL	
Camera Title	Off/On (Displayed up to 85 characters) - English / Numeric / International characters / Special characters - Common: Multi-line (Max. 5), Color (Grey / Green / Red / Blue / Black / White), Transparency, Auto scale by resolution
Day & Night	Auto (ICR) / Color / B/W / External / Schedule
Backlight Compensation	Off / BLC / HLC (Masking / Dimming), WDR
Wide Dynamic Range (WDR)	150dB
Contrast Enhancement	SSDR (Off / On)
Digital Noise Reduction	SSNRV (2D + 3D noise filter) (Off / On)
Digital Image Stabilization	Off / On (Built-in Gyro sensor)
Defog	Off / Auto (Input from fog detection) / Manual
Motion Detection	Off / On (8ea, 8point polygonal zones), Handover
Privacy Masking	Off / On (32ea, Polygonal) - Color: Grey / Green / Red / Blue / Black / White, Mosaic
Gain Control	Off / Low / Middle / High / Manual
White Balance	ATW / AWC / Manual / Indoor / Outdoor (Included mercury & sodium)
Contrast	Level adjustment
LDC (Lens Distortion Correction)	Off / On (5 levels with minimum / maximum)
Electronic Shutter Speed	Minimum / Maximum / Anti flicker (2 ~ 1/12,000sec)
Digital PTZ	24x, Digital PTZ (Preset, Group)
Flip / Mirror	Off / On, Hallway view: 90° / 270°
Video & Audio Analytics	Tampering, Loitering, Directional detection, Defocus detection, Fog detection, Virtual line, Enter / Exit, (Dis)Appear, Audio detection, Face detection, Motion detection, Digital auto tracking, Sound classification
Alarm I/O	Input 1ea / Output 1ea
Remote Control Interface	RS-485
RS-485 Protocol	Samsung-T/E, Pelco-P/D, Sungjin, Panasonic, Honeywell, AD, Vicon, GE, Bosch
Alarm Triggers	Alarm input, Motion detection, Video & Audio analytics, Network disconnect
Alarm Events	File upload via FTP and E-Mail, Notification via E-Mail, Local storage (SD/SDHC/SDXC) or NAS recording at alarm triggers, External output, DPTZ preset
Pixel Counter	Support

TNO-X6073EPT1-Z

NETWORK	
Ethernet	RJ-45 (10/100 BASE-T)
Video Compression Format	H.265 / H.264 (MPEG-4 part 10/AVC): Main / Baseline / High, MJPEG
Resolution	1920 x 1080, 1280 x 1024, 1280 x 960, 1280 x 720, 1024 x 768, 800 x 600, 800 x 448, 720 x 576, 720 x 480, 640 x 480, 640 x 360, 320 x 240
Maximum Framerate	H.264 / H.265 : Max. 60fps at all resolutions, MJPEG : Max. 30fps
Smart Codec	Manual mode (Area-based: 5ea)
WiseStream II	Support
Video Quality Adjustment	H.265 / H.264 : Target bitrate level control, MJPEG : Target bitrate level control
Bitrate Control Method	H.265 / H.264 : CBR or VBR, MJPEG : VBR
Streaming Capability	Multiple Streaming (Up to 10 profiles)
Audio In	Selectable (Micorphone in / Line in), Maximum output level: 1 Vrms Supply voltage: 2.5V DC (4mA), Input impedance: approx. 2K Ohm
Audio Out	Line out, Maximum output level: 1Vrms
Audio Compression Format	G.711 u-law/G.726 selectable, G.726 (ADPCM) 8KHz, G.711 8KHz G.726 : 16Kbps, 24Kbps, 32Kbps, 40Kbps, AAC-LC : 48Kbps at 8/16/32/48KHz
Audio Communication	Bi-directional (2-way)
IP	IPv4, IPv6
Protocol	TCP/IP, UDP/IP, RTP(UDP), RTP(TCP), RTCP, RTSP, NTP, HTTP, HTTPS, SSL/TLS, DHCP, PPPoE, FTP, SMTP, ICMP, IGMP, SNMPv1/v2c/v3(MIB-2), ARP, DNS, DDNS, QoS, PIM-SM, UPnP, Bonjour
Security	HTTPS (SSL) login authentication, Digest login authentication IP address filtering, User access log, 802.1X authentication (EAP-TLS, EAP-LEAP)
Streaming Method	Unicast / Multicast
Maximum User Access	20 users at unicast mode
Edge Storage	SD/SDHC/SDXC 2 slots (Up to 512GB) - Continuous recording (1st slot to 2nd slot) NAS (Network Attached Storage), Local PC for instant recording
Application Programming Interface	ONVIF Profile S/G, SUNAPI (HTTP API), Wisenet Open Platform
Webpage Language	English, Korean, Chinese, French, Italian, Spanish, German, Japanese, Russian, Swedish, Portuguese, Czech, Polish, Turkish, Dutch, Hungarian, Greek
Web Viewer	Supported OS : Windows 7, 8.1, 10, Mac OS X 10.10, 10.11, 10.12 Plugin-Free Webviewer Supported Browser : Google Chrome 54, MS Edge 38, Mozilla Firefox (49Windows 64bit only), MS Internet Explorer 11, Apple Safari 9 *Mac OS X only
Central Management Software	Wisenet WAVE, SmartViewer, SSM

ENVIRONMENTAL	
Operating Temperature PoE only	-50°C ~ +55°C (-58°F ~ +131°F)
Storage Temperature / Humidity	-50°C ~ +60°C (-58°F ~ +140°F) / Less than 90% RH
Ingress Protection	Type 4x / IP66

ELECTRICAL	
Input Voltage	Camera : PoE (IEEE 802.3bt)
Power Consumption	Camera : Maximum 90W (PoE++)

MECHANICAL	
Color / Material	RAL2000-Yellow Orange / Powder-coated Aluminum
Dimensions (WxHxD)	19.25(L) x 7.41(H) x 6.64(W) in (498 x 188 x 163 mm)
Weight	27 - 29 lbs (12.2 - 13.2 kgs)
Certified Model Number	F203-XNB-6000-01-01

SPECIAL LENS IN EXPLOSION PROOF TECHNOLOGY
8935 ALMEDA GENSIA RD. HOUSTON, TEXAS 77075 USA

SERIAL:

device	US/Canada: Class I Division 1 Groups BCD, SEE TABLE 1, Type 4X, IP66
UL	Class II/III Division 1 Groups EFG, SEE TABLE 2, Type 4X, IP66
ULC	Class I, Zone 1, AEx/Ex db IIB+H2 Gb, SEE TABLE 3, Type 4X, IP66
ULC	Zone 21, AEx/Ex tb IIC D, SEE TABLE 3, Type 4X, IP66
ULC	II 2 G Ex db IIB+H2 Gb, SEE TABLE 3, IP66
ULC	II 2 D Ex tb IIC D, SEE TABLE 3, IP66

CERT. NO. FM24U80200X & FM24C40056K1 Ex-FlmG 24-0028X & FM24ATEX0028X

WARNING: DO NOT OPEN WHEN ENERGIZED OR WHEN AN EXPLOSIVE ATMOSPHERE MAY BE PRESENT. Insuff and with 38 inches.

WARNING: SYSTEME A L'ÉLECTRICITE. CHARGER/RECHARGER - SEE INSTRUCTION NOTE FOR BATTERY RECHARGING DETAILS. SEE INSTRUCTION

AVERTISSEMENT: NE PAS OUVRIRE LORSQU'ÉNERGIE OU QUAND UNE ATMOSPHERE EXPLOSIVE PEUT ÊTRE PRÉSENTE. Les joints de fermeture

AVERTISSEMENT: RISQUE DE CHARGE ÉLECTROSTATIQUE POTENTIEL. VOIR LES INSTRUCTIONS. REMARQUE: POUR LES DÉTAILS SUR LE

REEMPLACEMENT DE LA BATTERIE, VOIR LES INSTRUCTIONS.

MADE IN USA

MODEL: F203-XNB-6000-01-01
POE INPUT: IEEE 802.3bt, 90W

TABLE 1		TABLE 2	
CODE	GROUP	CODE	GROUP
10	II 2 G Ex db IIB+H2 Gb	10	II 2 G Ex db IIB+H2 Gb
11	II 2 G Ex db IIB+H2 Gb	11	II 2 G Ex db IIB+H2 Gb
12	II 2 G Ex db IIB+H2 Gb	12	II 2 G Ex db IIB+H2 Gb
13	II 2 G Ex db IIB+H2 Gb	13	II 2 G Ex db IIB+H2 Gb
14	II 2 G Ex db IIB+H2 Gb	14	II 2 G Ex db IIB+H2 Gb